

# RADIAL PRESS

The Promess Radial Press, a cutting-edge servo-driven actuator engineered to revolutionize your assembly processes. Designed to apply precise loads around the circumference of components or assemblies. The Promess Radial Press offers versatility to suit diverse application requirements.

The New Promess Radial press was developed to be used for any radial crimping, joining or forming application where precise even radial motion and control is needed. The Promess Radial Press empowers you to tackle a wide spectrum of pressing tasks with ease. Its robust construction and advanced servo control ensure reliable operation, allowing you to achieve precise force control without compromise.

From automotive manufacturing to electronics assembly, unlock new levels of precision and efficiency in your production processes with this state-of-the-art solution. Trust in Promess for unmatched performance, reliability, and innovation in every press.

## FEATURES AND BENEFITS

- + Move to force (min, max, avg, or combined)
- + Move to position
- + Independent force feedback for each internal actuator

## APPLICATIONS

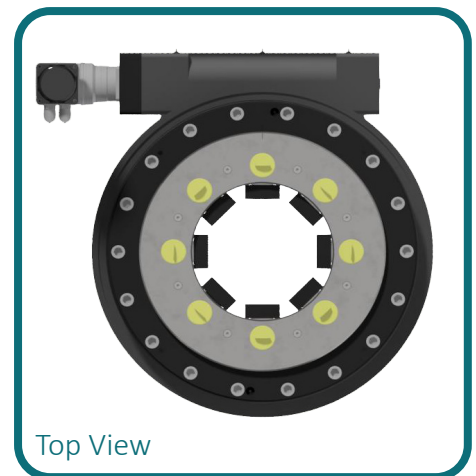
- + Crimping
- + Swaging
- + Pressing
- + Staking
- + Forming
- + Compacting

## CAPABILITIES

- + Available in configurations with 4, 6, or 8 internal actuators
- + Force capacity of 8kN to 100kN per internal actuator
- + Standard 10mm stroke length per actuator



ISO View



Top View

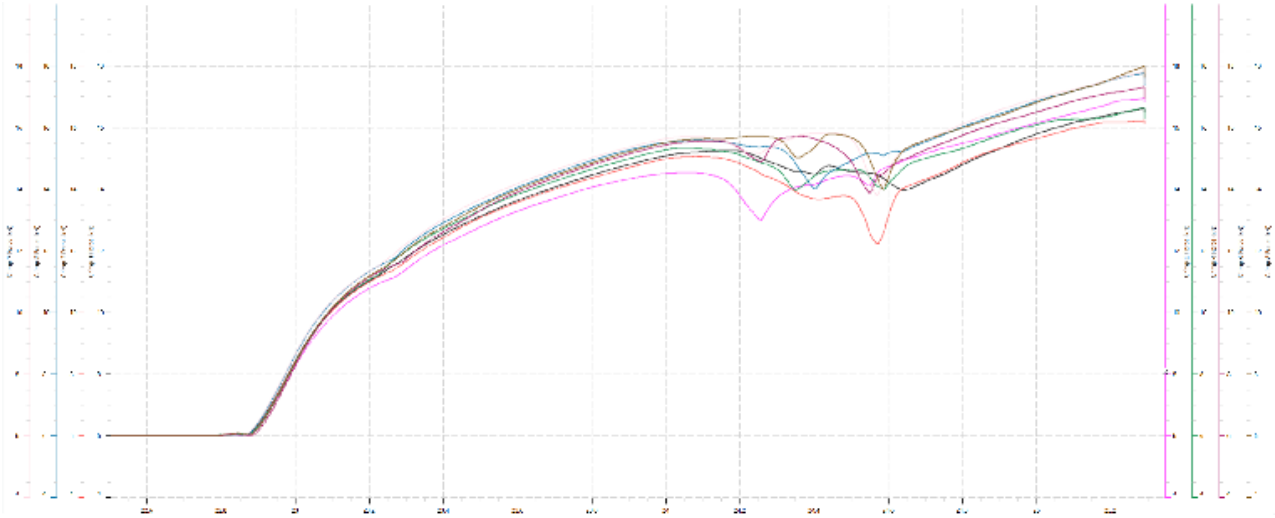


Scan here to view  
a video of the  
Promess Radial  
Press

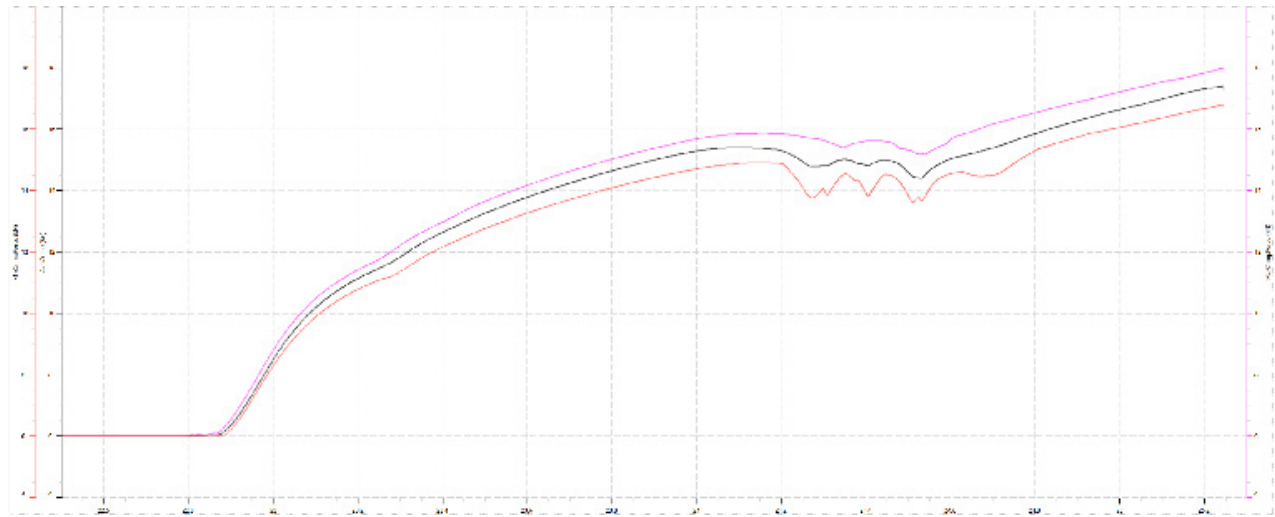


11429 Grand River Road | P.O. Box 748 | Brighton, Michigan 48116-9547  
810-229-9334 | FAX 810-229-8125 | [promess@promessinc.com](mailto:promess@promessinc.com) | [promessinc.com](http://promessinc.com)  
Copyright © Promess Incorporated. All rights reserved

## MONITORING CAPABILITIES



Crimp force vs position with all 8 loadcells overlaid



Min, max, avg overlay

